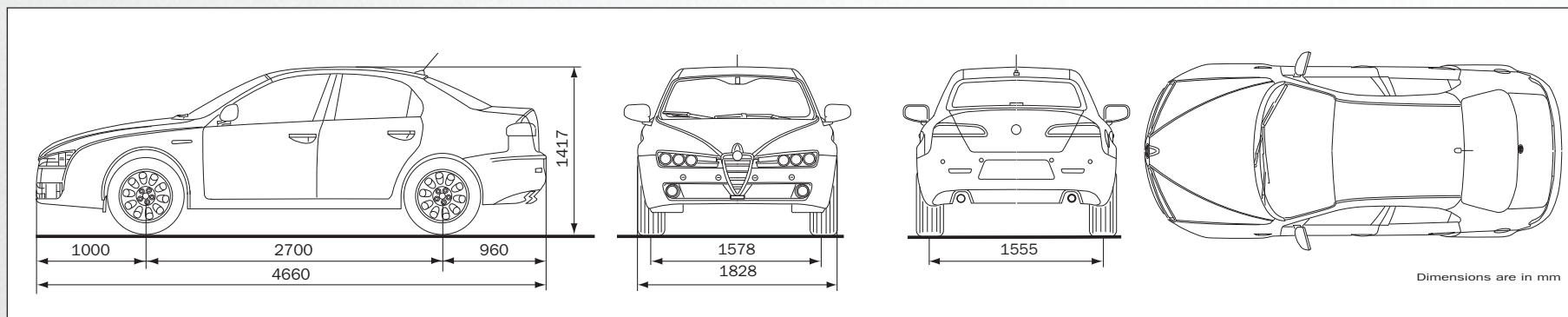




# 159 Dimensions



CHARACTERISTICS	1750 TBI Progression - 3.2 Distinctive - 3.2 Q4 Q-Tronic Distinctive	1750 TBI - 3.2 TI
<b>Dimensions</b>		
No. of seats	5	5
No. of doors	4	4
Length (mm)	4660	4660
Weight (mm)	1828	1828
Height (mm)	1422	1402
Wheelbase (mm)	2700	2700
Front track (mm)	1578	1578
Rear track (mm)	1555	1555
Luggage space (dm <sup>3</sup> )	405	405



# Technical data

	1750 TBI		3.2	
	1750 TBI 147 kW Progression	1750TBI 147 kW TI	3.2 191 kW Distinctive & 3.2 191 kW Ti	3.2 191 kW Q4 Q-Tronic Distinctive
<b>Characteristics</b>				
Number of cylinders, arrangement	4 in line		V6	
Bore x stroke (mm)	83,0 x 80,5		89,0 x 85,6	
Displacement (cu. cm)	1742		3195	
Compression ratio	9,5 : 1		11,25 : 1	
Max. power output HP (kW-EC) at rpm	147 at 5000		191 at 6200	
Peak torque Nm (kgm-EC) at rpm	320 at 1400		322 at 4500	
Timing system	2 OHCs (chain), 4 valves per cylinder, double electro-hydraulic continuous phase variators		4 OHCs (chain), 4 electro-hydraulic continuous phase variators	
Fuel feed	Turbocharger with MED direct injection integrated with ignition, with scavenging function		MED 7.6.1 electronic direct injection integrated with ignition	
Exhaust pipe	Double with separate mufflers and chrome tips		Double with separate mufflers and chrome tips	
<b>Electrical system (12V)</b>				
Battery: capacity (Ah) / Generator (A)	60/120		70/120	
<b>Transmission</b>				
Gearbox	6-speed manual		6-speed manual	6-speed automatic
Traction	Front		Front	4 Wheel
Number of gears	6 + 1R		6 + 1R	Auto. 6 + 1R
Final ratio	3.94			
<b>Tyres</b>				
Standard version	225/50 R17	235/45 R18	225/50 R17	235/45 R18
<b>Steering</b>				
Steering system	Rack and pinion with hydraulic servo		Rack and pinion with hydraulic servo	
Steering diameter kerb-to-kerb (m)	11.1		11.1	
<b>Suspension</b>				
Front	High double wishbone		High double wishbone	
Rear	Multilink architecture		Multilink architecture	
<b>Brakes (discs)</b>				
Front (mm)	Ventilated 330 x 28 D, fixed radial caliper in aluminium with four 42 mm pistons		Ventilated 330 x 28 D, fixed radial caliper in aluminium with four 42 mm pistons	
Rear (mm)	292 x 22 D; combined 42 mm floating caliper		292 x 22 D; combined 42 mm floating caliper	
<b>Capacities - weights</b>				
Fuel tank (l)	70		70	
Kerb weight DIN (kg)	1430		1540	1610
Max towable weight (kg)	1500		1700	
<b>Performance</b>				
Top speed (km/h)	235		250	244.0
Acceleration (driver + 30 kg) 0-100 km/h (s)	7.7		7.1	7.0
Acceleration (driver + 30 kg) 0-1000 m (s)	28.9		27.0	27.3
<b>Fuel Consumption - Emissions SI/SW Acc. To 1999/100/EC</b>				
Urban cycle (l/100 km)	11.3		16.4	16.7
Extra-urban cycle	5.8		7.9	8.3
Combined cycle	7.8		11.0	11.4
Exhaust emissions CO <sub>2</sub> (g/km)	182		260	270
Emissions standard	Euro 5		Euro 4	

# Colour Combinations

Model	1750 TBI Progression		1750 TBI TI	3.2 TI	3.2 Distinctive	3.2 Q4 Q-Tronic Distinctive	1750 TBI Progression	3.2 Distinctive		3.2 Q4 Q-Tronic Distinctive		
	Sports Fabric		Sports Leather - Alcantara		Mixed Fabric - Leather Venus		Leather (Opt 211)					
Interior Code	298	288	878		398		402	402	445	401	402	445
Dash	Black	Black	Black		Black		Black	Black	Black/Beige	Black	Black	Black/Beige
Seat	Sports fabric 3D grey	Sports fabric 3D red	Black sports leather/Alcantara		Black leather/fabric		Black leather	Black leather	Beige leather	Red leather	Black leather	Beige leather
<b>METALLIC (210)</b>												
565 Alfa Silver	•	–	•	•	•	•	–	•	–	–	•	•
660 Indaco Grey	•	–	–	–	–	–	–	–	–	–	–	–
567 Oltremare Blue	–	–	–	–	–	–	•	•	–	–	–	•
651 Stromboli Grey	–	–	•	–	•	•	•	–	•	•	–	–
876 Carbonio Black	–	–	•	–	–	–	–	–	–	–	–	•
<b>PASTEL</b>												
601 Black	–	–	•	•	•	–	–	–	–	–	–	–
296 Ghiaccio White	•	–	•	•	•	•	•	–	•	–	•	–
<b>EXTRA SERIES PASTEL (5B2)</b>												
289 Alfa Red	–	•	•	•	•	•	•	•	–	•	–	–
<b>TRIPLE-LAYER PEARLESCENT (4SA)</b>												
115 Competizione Red (8C Red)	•	–	•	•	•	–	–	–	–	–	–	–

• = available    – = not available

