

CHRYSLER



GRAND VOYAGER



CHRYSLER TOOK THE ALREADY POPULAR GRAND VOYAGER AND MADE IT BETTER. WE SCULPTED NOT ONLY THE STYLING BUT THE OVERALL DYNAMICS. WE FILLED IT WITH AN ENGINE THAT IS BOTH POWERFUL AND EFFICIENT. WE GAVE THIS GRAND VOYAGER EVERYTHING IT TAKES TO STAKE FURTHER CLAIM TO THE SEGMENT WE INVENTED ALMOST 30 YEARS AGO.





ITS LEVEL OF CARE IS RIVALLED ONLY BY ITS ABUNDANCE OF FEATURES.

Sleek, stylish and packed with innovation. Grand Voyager is foremost for drivers who expect a high standard of safety and technology features, ease and flexibility. The fact that it has all the luxury, style and performance of a modern, sporty vehicle is more than just a bonus. The Grand Voyager features new body styling, including reshaped front and rear fascias, rear liftgate, a sculpted hood, fog lamps, taillamps with LED lighting, body-colour rear spoiler, and more. The Grand Voyager architecture also boasts Quiet Steel[®] technology. This leading-edge noise- and vibration-reducing steel, along with other design cues, works to dampen extensive noise, vibration and harshness (NVH) levels. With new wheels and a re-engineered suspension system, getting there is just as enjoyable as your arrival.

A close-up, profile view of a woman's face, looking downwards. She has blonde hair and is wearing bright pink lipstick. The background is dark and out of focus. The text is overlaid in white, sans-serif font.

THEY ARE THE
FUTURE OF OUR
COUNTRY. THEY
SHOULD BE
TREATED AS SUCH.

HIGH INTENSITY DISCHARGE HEADLAMPS / FRONT- AND SECOND-ROW HEIGHT-ADJUSTABLE SEAT BELTS / BELT ALERT / PARKVIEW® REAR BACK-UP CAMERA / PARKSENSE® REAR PARK ASSIST SYSTEM / RAIN SENSING WIPERS / 4-WHEEL ANTILOCK BRAKES / ALL-SPEED TRACTION CONTROL / ELECTRONIC STABILITY CONTROL (ESC) / ELECTRONIC BRAKE ASSIST / POWER SLIDING DOORS WITH OBSTACLE DETECTION / POWER TAILGATE WITH OBSTACLE DETECTION / PREMIUM TYRE PRESSURE MONITORING DISPLAY / INTERIOR HEAD-IMPACT PROTECTION / ADVANCED MULTISTAGE AIRBAGS / FRONT SEAT-MOUNTED SIDE AIRBAGS / BRAKE-PARK INTERLOCK.

35

CARING COMES AS STANDARD.
THIS COMPREHENSIVE LIST INCLUDES THIRTY-FIVE OF THE MOST TECHNOLOGICALLY ADVANCED SAFETY AND SECURITY FEATURES IN THE SEGMENT FOR YOUR PEACE OF MIND.

ENHANCED ACCIDENT RESPONSE SYSTEM (EARS) / LOWER ANCHORS AND TETHERS FOR CHILD SEATS (LATCH) / FRONT-SEAT ACTIVE HEAD RESTRAINTS / SEAT BELT PRETENSIONERS / SENTRY KEY® ENGINE IMMOBILISER / SUPPLEMENTAL SIDE-CURTAIN AIRBAGS / THREE-POINT SEAT BELTS AT ALL SEATING POSITIONS / CHILD PROTECTION REAR DOOR LOCKS / CONSTANT FORCE RETRACTORS / OBSERVATION MIRROR / ENERGY-ABSORBING STEERING COLUMN / AUTOMATIC HEADLAMPS / DRIVER'S DOOR PROTECTION BLOCK / SECOND- AND THIRD-ROW HEAD RESTRAINTS / HEADLAMPS-OFF TIME DELAY / DOOR ALERT / STEERING WHEEL-MOUNTED VEHICLE CONTROLS / TILT STEERING COLUMN.

SUPPLEMENTAL SIDE-CURTAIN AIR BAGS.⁽³⁾

These air bags extend protection to all outboard front- and rear-seat passengers, including third-row outboard passengers. Upon side impact, the system deploys the specific side air bag and curtain required for occupant protection.

ADVANCED MULTISTAGE FRONT AIR BAGS.⁽³⁾

This feature regulates the amount of force necessary for the front occupants by impact severity, including low-risk deployment.



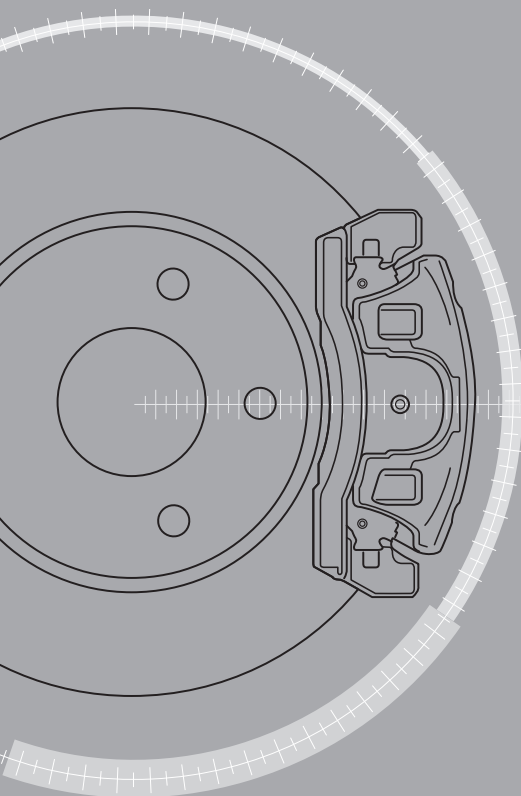
FRONT SEAT-MOUNTED SIDE AIR BAGS.⁽³⁾

Additional air bags are integrated into the front seats, so no matter where they are positioned, the air bags deploy consistently with driver and front-passenger seat positions.

CONSTANT FORCE RETRACTORS. Seat belt retractors sense vehicle impact and immediately apply pressure to the seat belt to properly position the occupant before the full load of impact is imparted, then reduce the seat belt load in order to moderate forces during the impact event.



ACTIVE FRONT HEAD RESTRAINTS.⁽²⁾ In the event of a rear-end collision, these restraints automatically move forward and upward to decrease the space between the head restraint and the occupant's head.



ELECTRONIC STABILITY CONTROL (ESC).⁽⁴⁾ Besides delivering a level of computer-enhanced control, these systems include all-speed traction control and electronic Brake Assist to automatically help provide quicker braking power in emergency situations. They can apply strategic braking to appropriate wheels and reduce engine power when overly sharp steering actions are detected.

ALL-SPEED TRACTION CONTROL. By applying individual brakes separately or in combination with engine torque limitation, all-speed traction control helps prevent wheel slip.

ELECTRONIC BRAKE ASSIST. In a panic-brake condition, the system applies maximum braking power, providing the shortest possible stopping distance.

4-WHEEL ANTILOCK BRAKE SYSTEM (ABS). Standard four-wheel antilock disc brakes afford premium stopping power, thanks to state-of-the-art electronics that help provide faster system response. ABS senses and helps to prevent wheel lock-up, offering improved steering control under extreme braking and/or slippery conditions.

HANDLES ALL CARGO WITH CARE.

ENGINEERED TO CONFIGURE OVER 140 WAYS

FLEXIBLE SEATING AND STORAGE

Luxury need not come at the expense of practicality. With all seats stowed, the Grand Voyager yields a flat cargo floor and 3.912 cubic metres of storage for easy loading without ever having to remove a seat. When the seats are in their upright position, in-floor bins store a multitude of items from laptops and purses to toys, back-packs, sleeping bags and shopping bags. The Grand Voyager also introduces the Stow 'n Place™ roof-rack system, with the convenience of crossbars that attach to the side rails when not in use.

EXCLUSIVE STOW 'N GO.®



ONE MOTION. A new, simple, fold-and-stow system now allows the head restraint to fold down automatically for easier operation and reveals what makes Grand Voyager legendary: exclusive Stow 'n Go seating with in-floor storage bins and fold-in-floor second- and third-row seats. When the seats are in their upright position, in-floor bins are available to accommodate carry-ons.

SECURITY ALARM. This system monitors the door-ajar switches as well as the ignition circuit for unauthorised entry. The lights flash and the horn sounds, alerting you if someone else is trying to enter your vehicle.

CHILD PROTECTION REAR DOOR LOCKS. A small lever on the front edge of the sliding doors disables the rear doors' inside release handles.

REMOTE KEYLESS ENTRY. The power sliding doors and power liftgate allow you to slide open rear doors and open the liftgate, all with the touch of just a couple of buttons on the key fob, overhead console or inside the cabin.



THIS PREMIUM MINIVAN OFFERS POWER SLIDING DOORS AND POWER LIFTGATE.

DUAL POWER SLIDING DOORS. With the push of a button, in cabin or on key fob, the dual sliding doors effortlessly open. These power doors detect obstacles in their path to automatically halt their motion and reverse.^{(1)*}

POWER LIFTGATE WITH OBSTACLE DETECTION.⁽¹⁾ Like the sliding doors, the available power liftgate detects most obstacles in its path and will automatically stop and reverse.

DOOR ALERT. This selectable feature automatically flashes signal lights, indicating which sliding door is open.

*A note about this brochure: All disclaimers and disclosures can be found on the back cover.

Standard on "Limited" Only.

THIRD-ROW POWER SEATS.



ONE-TOUCH POWER-FOLDING THIRD-ROW SEATS. With the touch of a button the one-touch power-folding third-row 60/40 split-bench seat folds directly into the floor. This feature also includes obstacle detection⁽¹⁾ to automatically pause if something is detected within the seat's path of motion (standard on limited model).

A CONCIERGE OF MODERN MEDIA THAT CONNECTS YOU TO THE PEOPLE, MUSIC AND DEVICES THAT MATTER MOST.

Uconnect® IS AN INTUITIVE HUB FOR ALL YOUR MEDIA — CELL PHONE, NAVIGATION SYSTEM AND MP3 PLAYER. THE SOLE PURPOSE OF THESE USER-FRIENDLY SYSTEMS IS TO MAKE YOUR LIFE EASIER, WHEREVER YOUR TRAVELS TAKE YOU.



PHONE. Talking on the phone while driving has never been easier — or more responsible. Uconnect Phone is the in-vehicle, voice-activated communication system that allows you to pair up to seven Bluetooth® compatible phones and then talk virtually hands-free. This system is also clever enough to synchronise with your phone's address book⁽⁷⁾ — up to 1000 entries — every time you get into your vehicle.



VOICE COMMAND. It simplifies driving by letting you keep your eyes on the road and your hands on the wheel. Vocally select FM radio stations, and make and receive calls. This smart system technology can also be trained to better recognise your voice and can understand commands in English and Spanish.



ENTERTAINMENT. Manage all of your media. You'll have many ways to access audio, auxiliary input jack, Bluetooth streaming audio. The optional Rear Seat Video can be accessed three ways: DVDs, compatible multimedia devices and gaming consoles.



NAVIGATION. Provides turn-by-turn voice guidance and visual display. It can also locate nearby restaurants, shopping, hospitals and points of local interest (optional on "Limited").







AN ENTERTAINMENT SYSTEM FOR THE ENTIRE FAMILY.

KIDS WEREN'T PUT IN THIS WORLD TO MAKE US MORE COMFORTABLE. DROP-DOWN DVD SCREENS WERE.

Leave it to Grand Voyager to deliver a premium level of entertainment features. With two optional nine-inch DVD screens that flip down from the overhead console, game-console inputs and an available DVD player, the kids don't have to settle on just one thing to watch. The video system can be operated from either the rear-seat entertainment unit or the radio head unit. The self-contained entertainment system is located in the overhead rail, which also contains storage for the DVD wireless remote and wireless headphones. LED halo lighting glows from the headliner rail, providing a relaxing environment for passengers.

Whether listening to music or DVDs, you'll appreciate the designed-in sound of either a standard six-speaker system or the available nine well-placed speakers with an 11-channel amplifier. The ∞Infinity® nine-speaker system with subwoofer gives superb quality surround sound with 506 watts of power and is standard on "Limited".

	LX	Limited
ENGINE/TRANSMISSION		
2.8 CRD Turbo Diesel with 6-Speed Automatic	22F	22X
MECHANICAL		
Battery – 825 amp, maintenance-free	S	S
Brakes – 4-wheel antilock with vented front and solid rear discs	S	S
Brake/Park Interlock	S	S
Front Air Dam	S	S
Fuel Tank – 75 litres	S	S
Heavy Duty Engine Cooling – includes radiator, transmission and oil cooler	S	S
Speed Control – Electronic with steering wheel-mounted controls	S	S
Steering – Power rack-and-pinion	S	S
Suspension – Sport-tuned	S	S
– Load levelling and height control	S	S
Tip Start – Quiet start, prevents double starts, helps to preserve battery, ignition and battery life	S	S
EXTERIOR FEATURES		
Badge – Grand Voyager	S	S
– Chrysler	S	S
– LX	S	
– “Limited”		S
– CRD	S	S
Brow – Licence plate, bright with integrated Chrysler badge	S	S
Door Handles – Body-colour	S	
– Bright		S
Door Locks – Power	S	S
Doors – Dual manual sliding	S	
– Dual power sliding		S
– Driver door protection block	S	S
Fascia – Body colour	S	
– Front, body colour with bright insert		S
– Rear, body colour with scuff pad (includes bright insert on “Limited”)	S	S
Grille – Bright surround with accent colour grille texture with bright horizontal bars	S	S
Headlights – Halogen quad optics	S	
– Headlamp-off time delay	S	S
– High Intensity Discharge headlights (HID)		S
– Manual headlamp levelling system	S	
– Automatic headlamp levelling system (included with High Intensity Discharge headlights)		S
– Headlights washers (included with High Intensity Discharge headlights)		S
– Fog lights front		S
– Fog lights rear	S	S
Liftgate – Power		S
Mirrors, Exterior – Power heated, power folding black mirrors	S	
– Power multifunctional, chrome, folding, heated with supplemental signals and auto-dimming driver’s side		S
Moulding – Bodyside, body colour	S	
– Bodyside, bright		S
Roof Rack – Black	S	
– Chrome side rails with black end caps; black crossbars		S
Tyres – 225/65 R16 BSW	S	
– 225/65 R17 BSW		S
– Compact spare	S	S

	LX	Limited
Wheels – 16" aluminium	S	
– 17" aluminium		S
Windows – Power front one-touch up/down driver and power one-touch down front-passenger and power second-row windows	S	S
– Power rear quarter vents	S	S
Windshield Wipers – Front, variable intermittent mode	S	S
– Rear wiper/washer with intermittent mode	S	S
– Rain-sensing		S
INTERIOR FEATURES		
Air Conditioning – Three-Zone Automatic Temperature Control with particulate air filter	S	S
Assist Handles – Located at B-pillar for second-row entry/exit assist	S	S
– Located in headliner above sliding side doors	S	S
Bezel – Instrument panel, woodgrain and Satin Silver	S	S
Cargo Compartment Cover	S	S
Carpeted Floor and Cargo Area – premium 18-oz carpet on "Limited"	S	S
Clock – Analogue, located in upper instrument panel	S	S
Door Trim Panel – Front doors, includes armrest, map pocket, chrome door handles, first- and second-row bottle holders	S	
– Front doors, luxury, includes armrest, map pocket, covered bin on driver door, chrome door handle, woodgrain appliqué		S
Floor Mats	S	S
Hooks – Grocery bag, rear of driver and third-row seats	S	S
Instrument Cluster – 4-gauge	S	S
Lights – Front courtesy map	S	
– Rear swivelling reading/courtesy; door courtesy; illuminated front door storage		S
– Portable rechargeable trouble light		S
– Liftgate, single floodlight	S	S
– LED, located in overhead that illuminates the front centre cup holder and console		S
Mirror, Interior – Rearview, day/night	S	
– Rearview auto-dimming mirror with integrated microphone for Uconnect™ Phone		S
– Visor vanity	S	
– Illuminated visor vanity		S
Power Accessory – 12V DC front and quarter trim panel	S	S
– 12V auxiliary power outlet in front instrument panel	S	S
Rear Window Defroster	S	S
Shades – Second- and third-row retractable window		S
Shift Knob – Leather-wrapped		S
Smokers' Group – Cigar lighter, front and rear ashtrays	S	S
Steering Column – Tilt, manual	S	S
Steering Wheel – Luxury	S	S
– Leather-wrapped	S	S
– Mounted audio controls	S	S
Vehicle Information Centre – Displays in instrument panel controls on steering wheel	S	S
SEATING		
Fabric – Stain Repel seat fabric ⁽¹⁾	S	
– Part-leather-trimmed first- and second-row with suede microfibre accents		S
Seat Tray – Flip-down front seatback table trays		S
Seats, Front – Buckets		S
– Driver's lumbar support, manual		S
– Eight-way power driver's seat and eight-way front passenger seat		S
– Heated front seats		S
Seats, Rear – Heated second-row seats		S

	LX	Limited
- Intermediate bucket seats with fold-in-floor and rear 60/40 split bench seat with fold-in-floor and tailgate position features	S	S
- Power one-touch folding third-row seat with power recline feature		S
UCONNECT™ MULTIMEDIA		
Media Centre Radios	S	
- Media Centre 135 AM/FM/CD radio with MP3/WMA support and audio jack	S	
- Media Centre 435 with AM/FM/CD/DVD radio with MP3/WMA support, 6.5-inch touch screen, 30GB hard drive with 6700 song capacity, audio jack and Voice Command		S
- Media Centre 735N with AM/FM/CD/DVD radio with MP3/WMA support, 6.5-inch touch screen, 30GB hard drive with 4250 song capacity, audio jack, Voice Command, GPS Navigation and Uconnect Phone		O
- Radio Memory feature		S
Audio System – Four speakers	S	
- Nine amplified speakers and subwoofer includes 506-watt amplifier		S
SAFETY AND SECURITY		
Air Bags⁽²⁾ – Advanced multistage driver and front-passenger includes low-risk deployment	S	S
- Side-curtain air bags for outboard seating positions in all three rows	S	S
- Driver and front passenger front-seat mounted side air bag	S	S
Child Seat Anchor System (LATCH) – Mounts for two child seats in the intermediate row help ease the installation of compatible aftermarket child seats	S	S
Electronic Stability Control⁽³⁾ – Includes Brake Assist and all-speed traction control	S	S
Rear Back-Up Camera⁽⁴⁾ – Included with Media Centre 435 or Media Centre 735N		S
Rear Park Assist System⁽⁴⁾ – Assists while parking	S	S
Remote Keyless/Illuminated Entry System – Includes two transmitters, Sentry Key® antitheft engine immobilizer	S	S
Security Alarm		S
Sliding Door Alert System – Hazard lights flash, alerting other drivers that passengers could be entering/exiting the vehicle	S	S
Tyre Pressure Monitoring Display – Display in instrument cluster		S
Tyre Pressure Monitoring Warning Lamp	S	
Uconnect Phone⁽⁵⁾ – Includes rearview auto-dimming mirror with microphone		S
PACKAGES		
Entertainment Group #2 – Includes second-row overhead 9-inch video screen, third-row overhead 9-inch video screen, single-disc DVD player, wireless headphones and video remote control		O

S = Standard. P = Included in package noted in parentheses. O = Optional.

⁽¹⁾Not compatible with aftermarket fabric-protecting coatings. ⁽²⁾The Advanced Front Air Bags in this vehicle are certified to the new federal regulations for advanced air bags. Children 12 years old and younger should always ride buckled up in rear seat. Infants in rear-facing child restraints should never ride in the front seat of a vehicle with a passenger front air bag. All occupants should always wear their lap and shoulder belts properly. ⁽³⁾Performance is limited by available traction, which snow, ice and other conditions can affect. When the ESC warning lamp in the speedometer flashes, the driver needs to use less throttle and adapt speed and driving behaviour to prevailing road conditions. Always drive carefully, consistent with conditions. Always wear your seat belt. ⁽⁴⁾Always check entire surroundings before backing up. ⁽⁵⁾Must use Bluetooth® compatible phone.

FUEL CONSUMPTION (Combined cycle litres per 100km)		
Model	Consumption	CO ₂
2.8 CRD Turbo Diesel	8.4	222
<ul style="list-style-type: none"> Carbon dioxide (CO₂) is the main greenhouse gas responsible for global warming Actual fuel consumption and CO₂ emissions depend on factors such as traffic conditions, vehicle condition and how you drive 		

ENGINES	2.8 CRD
Power (kW @ rpm)	120 @ 3800
Torque (N.m @ rpm)	360 @ 1600-3000



1663
1645



3078
5175



1645
1998

1818



3-year/100 000 km Warranty and Full Maintenance Contract. All vehicles are covered by the Chrysler 3-year/100 000 km Warranty. See dealer for more information.



Chrysler Financial delivers Chrysler, Jeep® and Dodge customers a personal, worry-free automotive financing experience. Visit www.chryslerfinance.co.za or your Jeep dealer to discover all that Chrysler Financial offers.



Enhance your vehicle with Authentic Accessories by Mopar. They're designed specifically for your vehicle, for exceptional fit, finish and performance. Visit your dealership or www.mopar.co.za.



This suite of integrated digital systems bundles entertainment, information and communication. For more information, visit your dealer.

CHRYSLER



This brochure is a publication of Chrysler Group LLC. All product illustrations and specifications are subject to change. Chrysler Group LLC reserves the right to make alterations in the described models and services – at any time without prior notice or obligation – which are considered necessary to the purpose of product improvement or for reasons of design and/or marketing. Mopar, Sentry Key, Stow 'n Go and VES are registered trademarks and Uconnect is a trademark of Chrysler Group LLC. Bluetooth is a registered trademark of Bluetooth SIG, Inc. iPod is a registered trademark of Apple, Inc. All rights reserved.

MODEL YEAR 2012, DECEMBER 2011 (P/N RT53_2012_AA)