

INSTALLATION PROCEDURES AND ACCESSORY DOCUMENT FOR ELECTROMAGNETIC LOCKS

PIT FALLS TO AVOID:

1. HANDLE THE LOCK WITH CARE
2. DO NOT HANDLE THE LOCK BY IT'S TERMINATION CORD.
3. DO NOT DROP THE LOCK OR DENT THE CASING.
4. DO NOT DRILL INTO THE LOCK OR WIDEN THE MOUNTING HOLES AT ALL.
5. ENSURE THAT THE POWER RATING IS NOT EXCEEDED BY 25%.
6. ENSURE THAT THE POLARITY OF THE POWER SUPPLY IS CORRECT.
7. DO NOT MODIFY OR WELD THE ARMATURE PLATE AT ALL. THIS WILL DESTROY THE FLAT MACHINED SURFACE, AMPERING HOLDING POWER AND SENSING ABILITY.
8. DO NOT OVER TIGHTEN THE CENTRE BOLT OF THE ARMATURE PLATE.

GENERAL INSTALLATION PROCEDURES:

1. ASSEMBLE THE LOCK WITH THE APPROPRIATE BRACKET TO BE USED.
2. LET THE DOOR REST IN IT'S GENERAL CLOSED POSITION.
3. HOLD THE LOCK ARMATURE AND BRACKET IN PLACE AND MARK POSITIONS OFF.
4. DISMANTLE BRACKET, PUT BACK INTO PLACE AND SECURE BRACKET TO WALL OR DOOR FRAME.
5. FIT THE LOCK TO THE BRACKET.
6. RECHECK THE POSITION OF THE ARMATURE ON THE DOOR AND SECURE ARMATURE TO DOOR.
7. TERMINATE THE CONNECTING CABLE TO THE POWER SUPPLY AND TEST.

WIRING DIAGRAM:

RED WIRE	=	+ 12 V DC POWER SOURCE
BLUE WIRE	=	-- 12 V DC POWER SOURCE
GREEN	=	SIDE CORE CONTACT POINT FOR DOOR SENSING
YELLOW	=	SIDE CORE CONTACT POINT FOR DOOR SENSING
CABLE SCREEN	=	CENTRE CORE

PLEASE NOTE:

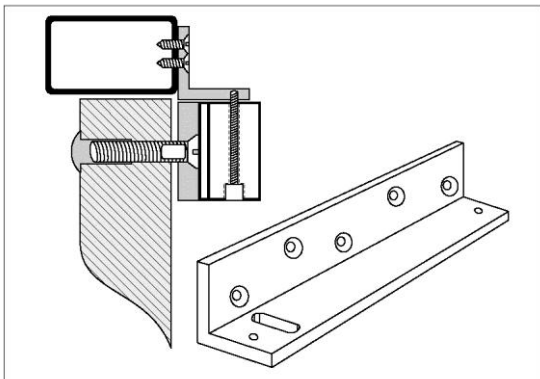
1. IF THE SENSING SECTION OF THE LOCK IS TO BE USED, IT IS VERY IMPORTANT THAT THE ARMATURE PLATE IS INSULATED FROM THE DOOR. USE THE SUPPLIED NYLON PINS AND WASHERS TO ACHIEVE THIS.
2. THE CONTACT SENSING STATUS IS ONLY VALID IF THE LOCK IS APPLIED WITH POWER.
3. IT IS RECOMMENDED THAT A REGULATED 12 V DC OR 13,8 V DC POWER SUPPLY IS USED.

ARMATURE INSTALLATION:

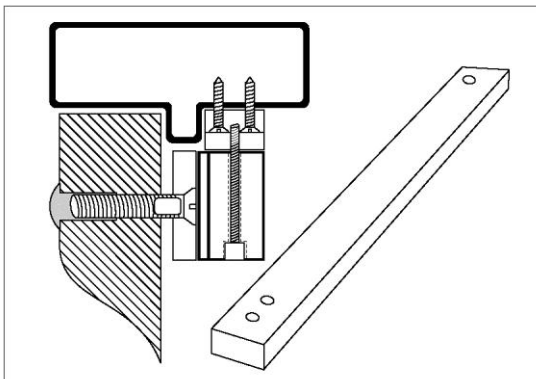
SPECIAL CARE SHOULD BE TAKEN WHEN SECURING THE ARMATURE. A SLIGHT LATERAL MOVEMENT OF THE ARMATURE PLATE MUST ALWAYS BE AVAILABLE. THIS MOVEMENT WILL ALLOW THE ARMATURE PLATE TO ADAPT TO THE LOCK'S SURFACE WHEN CLAMPED.

MOUNTING ACCESSORIES:

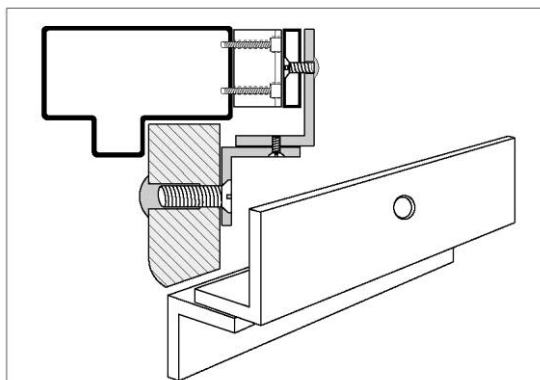
ANGLE BRACKET model AB - ALU



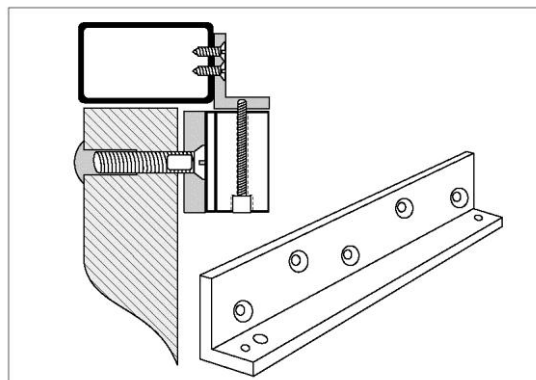
SPACER BRACKET model SB - ALU



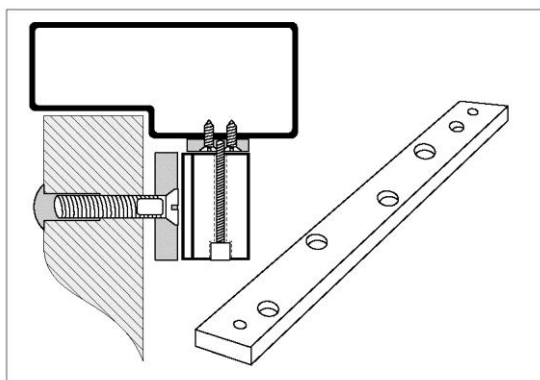
Z BRACKET model ZB - ALU



L BRACKET model LB - ALU



QUICK MOUNT model QB - ALU



MORTICE LOCK INSTALLATION

