

RUBBER ACCESSORIES

RE-USABLE RUBBER TRAFFIC ISLAND

PATENT PENDING NO: 2010/03836

NEW PATENTED DESIGN



PARKING CONTROL ACCESSORIES FROM RECYCLED RUBBER

- ✦ Recycled rubber bollards.
- ✦ Parking Bay wedge curb with bay number.
- ✦ Support pillar protection systems for round, square and oval pillars.
- ✦ Speed reduction speed humps.
- ✦ Speed reduction speed humps with built-in loop detection system.
- ✦ Lane restriction system.
- ✦ Armco Barrier Posts.
- ✦ Traffic/Road Signs.
- ✦ Traffic Calming Circles/Triangles.
- ✦ Decorative Wall Claddings - brick, stone, coble finishes.
- ✦ Colour: Grey/Black/Brown
- ✦ Lamp Post Protection Systems.



SYSTEM FEATURES

Made from Steel & Recycled Rubber - Environmentally Friendly

- ✦ Re-usable - can be removed and re-installed.
- ✦ Portable:
 - a) 800mm (W) x 3800 (L) x 150mm (H)
The Island weighs 329kg with the biggest section weighing 109kg and the smallest component weighing 2kg.
 - b) 600mm (W) x 3550 mm (L) x 150mm (H)
The Island weighs 252kg with the biggest section weighing 44kg and the smallest component weighing 2kg.
- ✦ Durable enough to make it a permanent installation or to make it a temporary installation.
- ✦ Can be installed onto concrete/paving/asphalt/dirt roads.
- ✦ Suitable for Indoor & Outdoor use.
- ✦ Rubber can be painted.
- ✦ Rubber colour can be changed – black, grey, brown.
- ✦ Easy installation:
4m island can be installed in under 2 hours. Island only,
4 hours with 2 booms and 2 gooseneck stands.
- ✦ Rubber curb can't damage motor vehicle rims.
- ✦ The entire island is 100% recyclable.
- ✦ Island can be extended to any length with a combination of left or right hand turns.



Due to constant upgrading and improvements, product specifications are subject to change without notice.

We specialise in the manufacture and distribution of Traffic Barriers, High Security Spike Barriers, Turnstiles (all types), Road Blockers, Magnetic Locks, Paraplegic Gates, Pedestrian Barriers, Bollards, Gooseneck Stands, Parking Control and Security Equipment.

Due to constant upgrading and improvements, product specifications are subject to change without notice.

We specialise in the manufacture and distribution of Traffic Barriers, High Security Spike Barriers, Turnstiles (all types), Road Blockers, Magnetic Locks, Paraplegic Gates, Pedestrian Barriers, Bollards, Gooseneck Stands, Parking Control and Security Equipment.

600/800 SERIES RUBBER ISLAND

USAGE

For Pay Parking Systems to mount equipment on to e.g. Ticket Dispenser, Card Capture Units, Pay Stations, Pay Kiosks, Access Control Readers, Biometric Readers or any other systems that are used to open Boom Gates, Sliding Gates, Spike Barriers, Road Blockers, Speed Gates or any physical automated and non-automated access equipment.

To control traffic flow in and out of parking areas.

PRODUCT DESCRIPTION

Modular Traffic Island with accessories made from recycled rubber:

- Centre Island End Mounting Plate
- Centre Island Extension Mounting Plate
- Centre Island End Assembly Rubber
- Island slip way left
- Island slip way right
- Island turn 90° left
- Island turn 90° right
- Island expansion kit – to make island wider for Pay Kiosk
- Preformed metal mounting plate for items 4 - 8



RECYCLED RUBBER ISLAND

MOUNTING (FIXING) METHOD

Can be mounted onto concrete, asphalt, paving & dirt roads

- Rawl bolt to suitable surface.
- Epoxyed to suitable surface.
- By means of special nail in anchors to dirt roads.

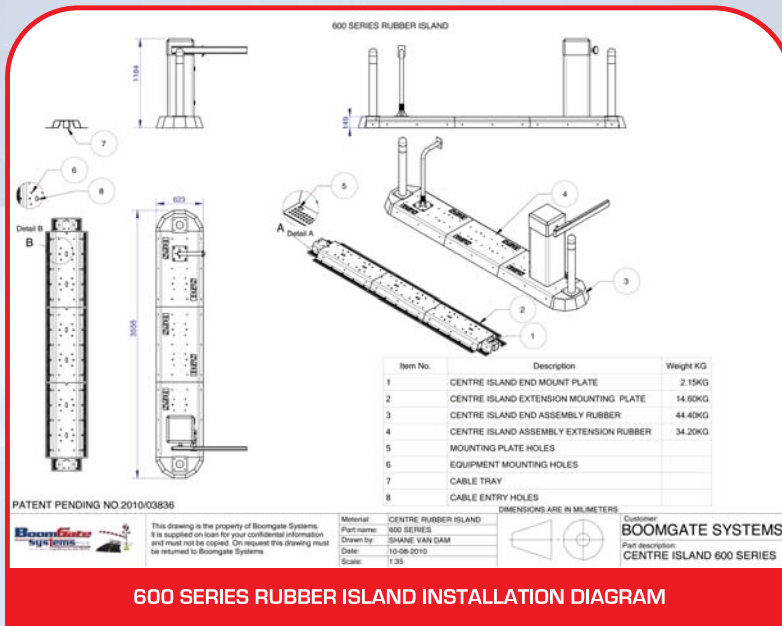
RECYCLED RUBBER INDUCTIVE LOOP MATS

- Use:**
- Parking Garages
 - Access Control
 - Vehicle Detection (Counting)
 - Train Detection (Crossing Signaling)

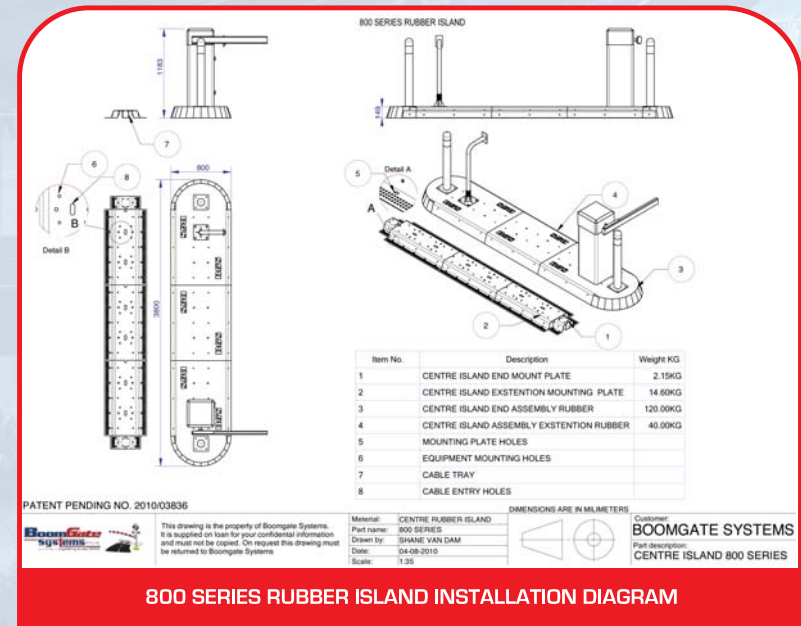
- Types:**
- Surface mount
 - Underground/paving
 - Recessed mount
 - Permanent or temporary loop



RUBBER LOOP - 1M X 2M X 30MM



600 SERIES RUBBER ISLAND INSTALLATION DIAGRAM



800 SERIES RUBBER ISLAND INSTALLATION DIAGRAM

Due to constant upgrading and improvements, product specifications are subject to change without notice.

We specialise in the manufacture and distribution of Traffic Barriers, High Security Spike Barriers, Turnstiles (all types), Road Blockers, Magnetic Locks, Paraplegic Gates, Pedestrian Barriers, Bollards, Gooseneck Stands, Parking Control and Security Equipment.