  
**GENIUS™**  
TRAFFIC BARRIER



**BoomGate®**  
**Systems** (PTY) LTD

Reg.No. 98/23505/07 Engineering Access Control



## MARKET LEADER

- South Africa's biggest value for money barrier
- Designed for ultra high traffic flow
- Exported worldwide



### APPLICATIONS:

- Parking garages, Golf or Residential Estates, Factories & Mines.
- Industrial and commercial use.
- Any application where vehicles need to be controlled.

### DESIGNED FOR:

- Ultra high traffic flow
- Most severe operational conditions.

### CONFIGURATIONS:

- From: 2.5m up to 7m with 500mm increment.
- Boom arms are Octagonal or Round aluminium.
- Left and right hand configurations are available.

### MECHANISM:

- Electromechanical designed for extreme conditions .
- Designed for reliability and long lasting low maintenance.
- All components are lazer cut and CNC Machined.

### TECHNOLOGY:

- Boomgate Systems uses locally designed 100% duty cycle torque motor.
- 3 Ultra long lasting rubber buffers are used for boom dampening to eliminate bouncing and mechanical stress.
- Heavy duty industrial bearings.
- Adjustable counter weight springs system.
- Main PC Board with 12v output for IR Beams or transmitter.
- Control logic microprocessor with several different variations.

## DID YOU KNOW?

- Boomgate Systems has supplied over 6000 barriers.
- Boomgate Systems has barriers installed on the Toll roads local and international.
- Our Barriers are exported world wide.
- Boomgate Systems barriers come with 2 year warranty, industry first.





## TECHNICAL SPECIFICATIONS:

<b>Power:</b>	220V AC $\pm$ 5%
<b>Frequency:</b>	50Hz
<b>Power Consumption:</b>	80W +75W (incandescent with Robots)
<b>System Integration:</b>	Can integrate with any access control by means of n/o contact that closes and opens again.
<b>Package size:</b>	400 x 400 x 1050 excl boom
<b>Mass:</b>	60kg approx

BOOM ARMS	OPEN IN SECONDS®	CLOSE IN SECONDS
3M	2.1	2.1
4M	3	3
5M	3	3
6M	5.5	5.5
7M	5.5	5.5



## DRIVE MECHANISM:

<b>Motor with Gearbox:</b>	Single Phase Torque Motor 100% Duty Cycle
<b>Output:</b>	From 60 – 85W
<b>RPM:</b>	14, 10, 5.5, 3
<b>Opening/Closing Time:</b>	1.5 sec, 2.1 sec, 5 sec, and 10 sec
<b>Boom Arm Travel:</b>	85° on power failure Boom Drive Sinusoidal lever ensures that the boom mechanically locks in the up and down position when the motor is on. 3 rubber buffers are used for Boom dampening in the up and down position. Harmonious movement.

### 7m Industrial Barrier





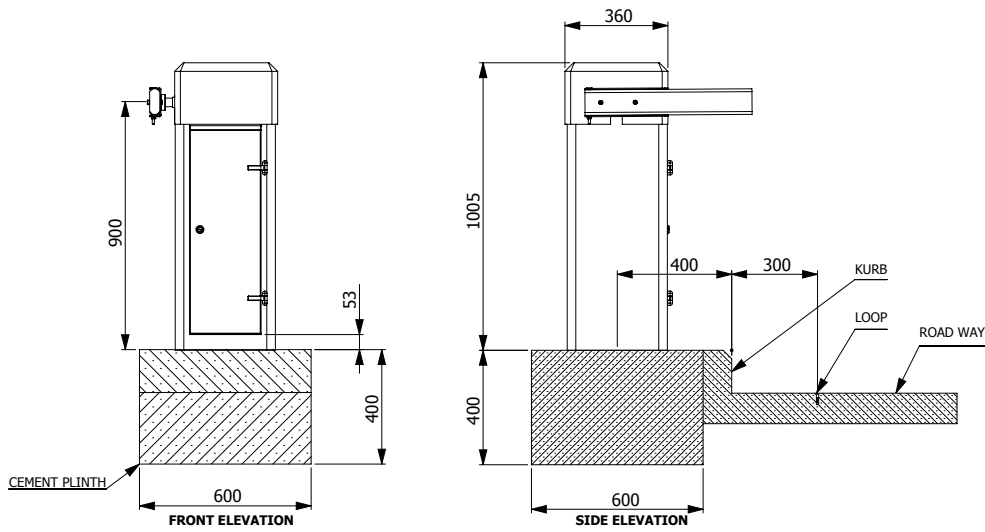
## AVAILABLE OPTIONS:

<b>Boom Arm:</b>	Octagonal 90mm x 48mm with red reflective resistant tape, c/w Boomgate Systems unique break away mechanism to save boom arm from damaging. Round 76mm with red reflective UV resistant tape.
<b>Boom Arm:</b>	Extruded Aluminium Tubing
<b>Grade:</b>	6063 T6
<b>Mass per meter:</b>	Octagonal 1.110kg/m Round 0.811kg/m
<b>Lengths:</b>	3m, 4.5m, 6m and 7m
<b>Profile:</b>	Octagonal or Round Octagonal 90 x 48mm Round 76.20 x 1.05mm
<b>Finish:</b>	White epoxy powder coated, spiral round with red reflective tape.
<b>Boom Arm accessories:</b>	Jack-knife kit for Octagonal and Round Boom arms. Boom Arm curtain. Boom Arms come standard with breakaway mechanism. Boom cam kit to monitor boom arm position. Up/down
<b>Boom Arm Mounting:</b>	Left hand is the standard. Right hand on request . Take 20 min to change on site. Boom Mounting Octagonal boom mount with 2 nylon nuts to break off on impact to protect barrier boom. Boom arm swings away from road surface to the barrier housing. Round has got no protection mechanism.
<b>Control Logic:</b>	Logic with separate loop detector PCB mother board with robot logic, interlock control, 12V output IR beam input, arming loop output for parking control systems.
<b>Barrier Housing:</b>	M/S as standard powder coated, white bottom and red top with UV resistant textured exterior powder coating. 3CR12 stainless steel. 304 brushed stainless steel. 316 brushed stainless steel. Other colours available on request.

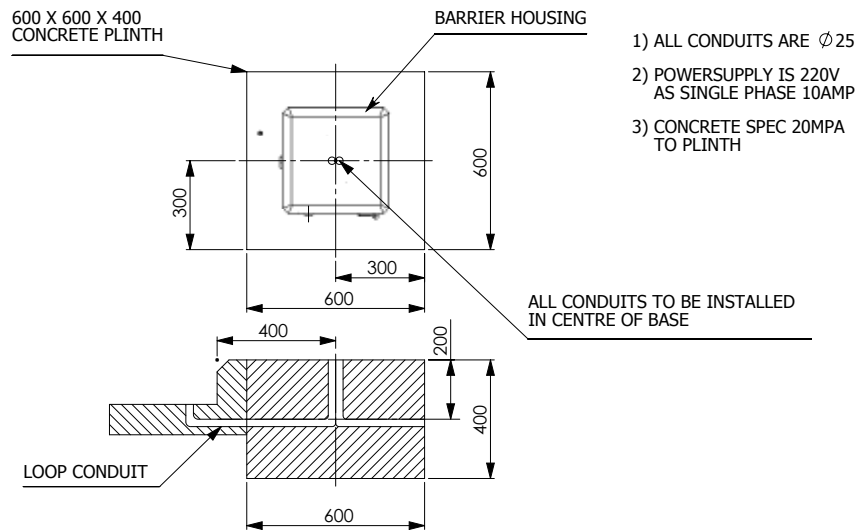


# TYPICAL BARRIER INSTALLATION:

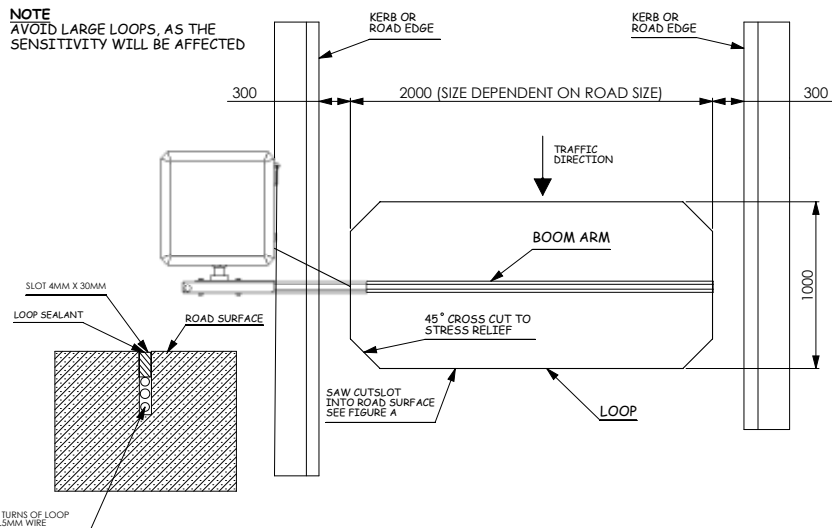
## CONCRETE PLINTH



## BARRIER MOUNTING



## LOOP POSITION





## ACCESSORIES:

- Barrier Curtain
- Boom Poles



**BARRIER CURTAIN**

- Stop Sign
- No Entry Sign



**ROUND AND OCTAGONAL  
BOOM POLES**

- Robot
- Card Capture Unit



**ROUND AND OCTAGONAL  
END CAPS**



**STOP SIGN**



**NO ENTRY SIGN**



**ROBOT**



**CARD CAPTURE UNIT**



**PUSH BUTTONS**



**GOOSENECK STAND**





**BoomGate**<sup>®</sup>  
**Systems** (PTY) LTD

Reg No. 98/23505/07 Engineering Access Control



**JOHANNESBURG BRANCH:** Tel: +27 11 674 4441 • Fax: +27 11 674 4450 • Email: boomgate@global.co.za

18 Minerva Avenue, Leaglen, Florida, Roodepoort, SOUTH AFRICA

**CAPE TOWN BRANCH:** Tel: +27 21 551 0849 • Fax: +27 21 551 8627 • Email: salesci2@boomgatesystems.co.za

Unit 2 Crest Park, 12B Longclaw Drive, Montague Gardens, Cape Town, SOUTH AFRICA

**[www.boomgatesystems.co.za](http://www.boomgatesystems.co.za)**

**Manufacturers & Suppliers of:**

- Traffic Barriers • High Security Spike Barriers • Road Blockers • Turnstiles • Security Booths • Pedestrian Barriers
- Paraplegic Gates • Speed Gates • Bollards • Goosenecks • Magnetic Locks • Metal Enclosures • Rubber Islands