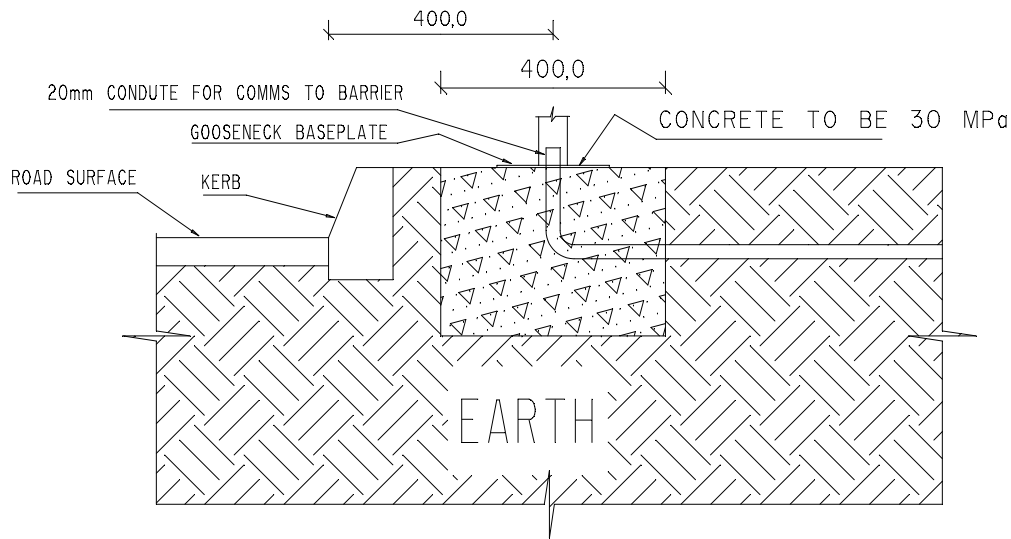
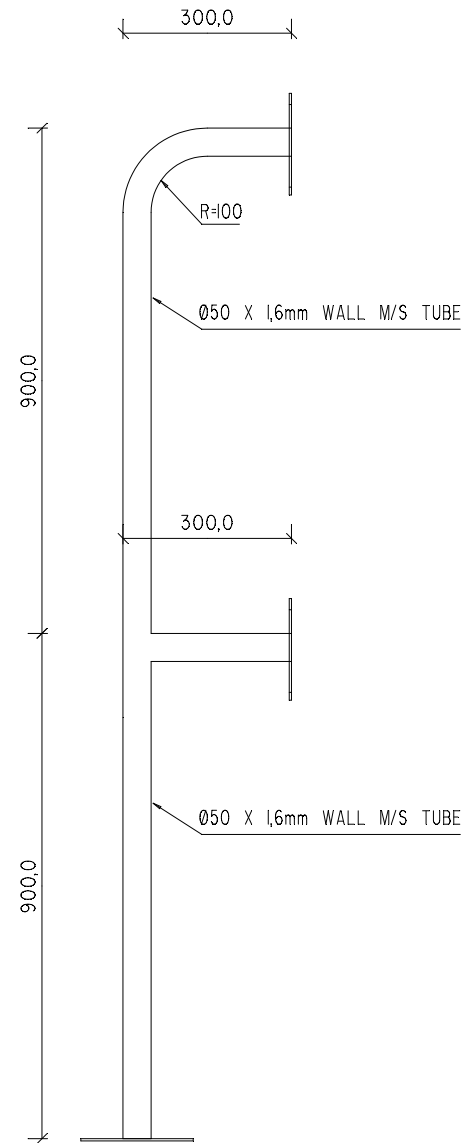


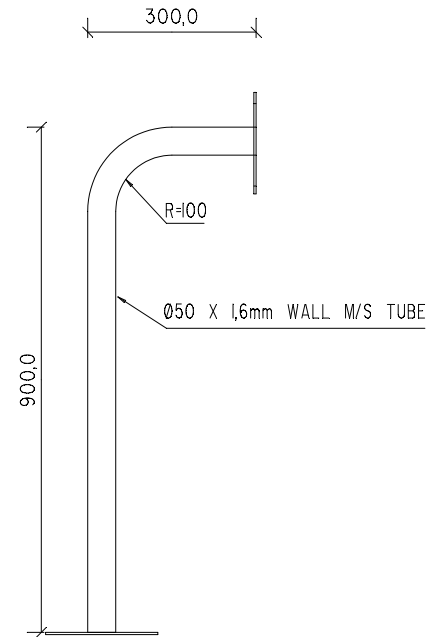
PLAN



SECTION



DUAL GOOSENECK



SINGLE GOOSENECK

**Boomgate  
Systems  
(Pty) Ltd**

Tel: +27 11 769-1677  
Fax: +27 11 762-1655  
E-mail: boomgate@global.co.za  
www.boomgatesystems.co.za

THIS DRAWING IS THE PROPERTY OF  
BOOMGATE SYSTEMS (PTY) LTD.

DRG. No: B14201AB

PRODUCT : PLINTH DETAILS FOR GOOSE NECK  
AND CATCH POST

DRAWN : N.J.C.

SCALE : NOT TO SCALE

THIS DOCUMENT AND INFORMATION CONTAINED HEREIN IS THE PROPERTY OF BOOMGATE SYSTEMS  
AND MAY NOT BE COPIED OR USED WITHOUT PRIOR WRITTEN PERMISSION