

# AR 60

**Operation weight:**

**4300 kg**

**Power:**

**36,5 kW (50 HP)**

**Shovel capacity:**

**0,85 m<sup>3</sup>**



**ATLAS**  
**WEYCOR**



# AR 60



**Proven technology  
in optimum quality.**



**ATLAS Weyhausen wheel loaders are more than the sum of their parts. They reflect true passion, a fascination with technology and 'made in Germany' quality.**

The AR 60 is perfect for the construction industry, horticulture, landscape gardening and agriculture. With an engine rating of 50 HP, it also meets TIER IV Interim exhaust emission requirements.

The ATLAS Weycor AR 60 has all the inner values that people appreciate in ATLAS Weycor wheel loaders: stability, long lifespan and impressive performance data.

Reflecting the ATLAS Weyhausen philosophy of always focusing on the optimum solution, the AR 60 has a series of technical highlights as standard features. Numerous options also permit flexible adaptation to your individual requirements.



# ATLAS WEYCOR: POWERFUL. PRECISE. RELIABLE.



## Yanmar engine technology

### 4TNV88-BD

Building off the proven TNE design, Yanmar has achieved superior exhaust emissions by improving the combustion chamber and fuel injection equipment design. Engines are compliant with 2008 EPA Tier 4 and EU stage III A exhaust emissions regulations. The TNV engines offer even more enhanced durability due to better block cooling. CAE analysis has brought lower vibrations and higher strength to the mounting structure for even better reliability in heavy-duty jobs. A newly designed, in-line MP type fuel injector pump is utilized to assure more precise fuel delivery and control. The result is reduced emissions, improved performance over a wide range of applications.



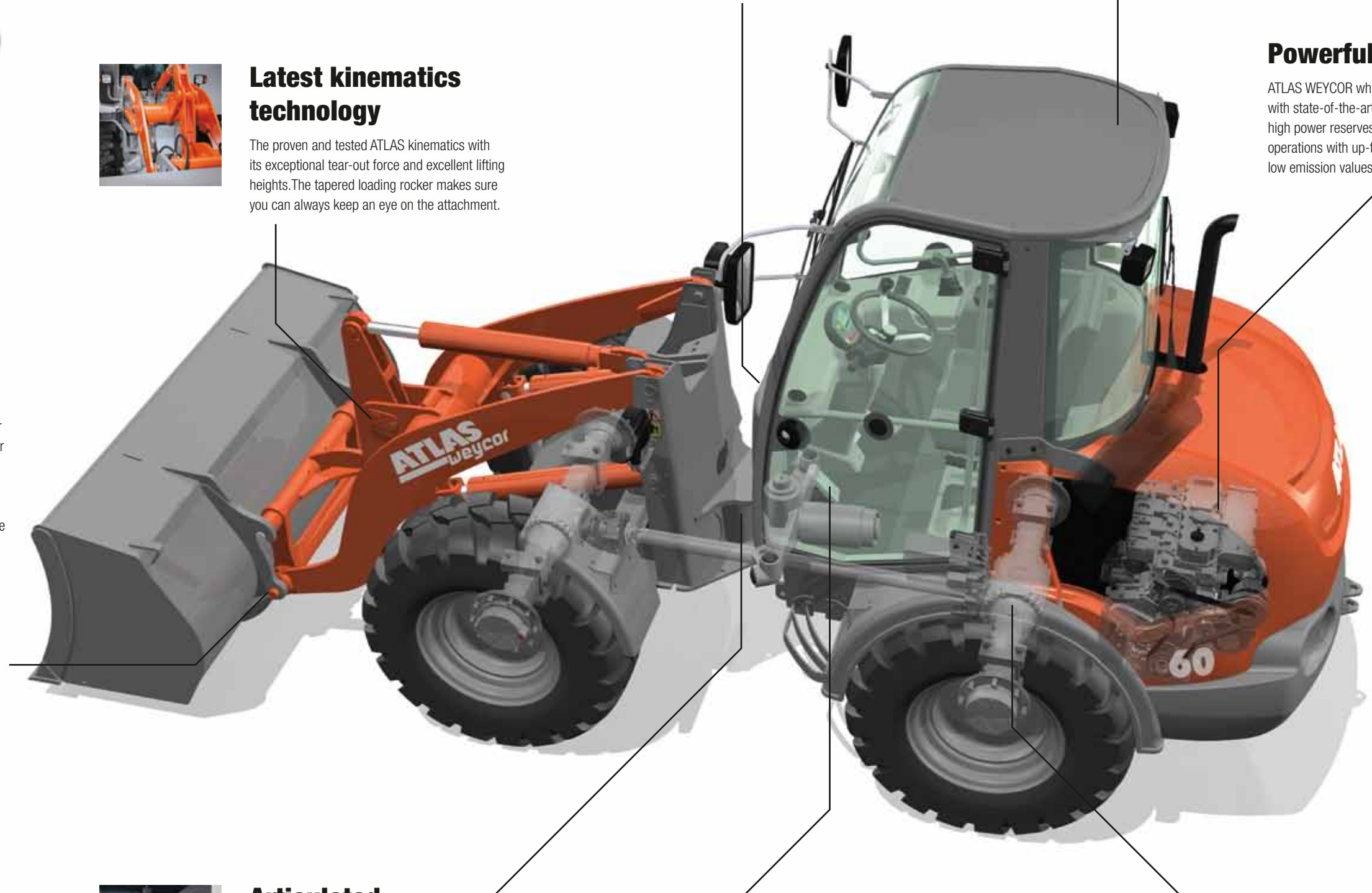
## Hydraulic quick-change attachment

By allowing you to change the wheel loader's attachments in a few seconds, it turns the vehicle into an all-rounder..



## Latest kinematics technology

The proven and tested ATLAS kinematics with its exceptional tear-out force and excellent lifting heights. The tapered loading rocker makes sure you can always keep an eye on the attachment.



## Easy maintenance

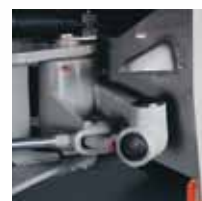
Low-maintenance and quick, easy servicing is achieved by central, consolidated, easy-to-reach service points.

## Comfortable cabin

In addition to the excellent circumferential visibility in the wheel loader, its clearly arranged controls and its ergonomic design.

## Powerful drive unit

ATLAS WEYCOR wheel loaders are equipped with state-of-the-art engines which combine high power reserves for challenging operations with up-to-date low emission values.



## Articulated pendulum joint

Provides for excellent maneuverability and cross-country mobility. Even on challenging terrain, the low center of gravity ensures exceptional stability.



## Separate inching pedal.

Less wear & tear and fuel consumption: In contrast to the conventional combined brake/inching pedal, with the separate inching pedal, the risk of inadvertently activating the main brake while you drive is eliminated.



## Negative brake

Serves to maintain a stable position while the wheel loader is driven on slopes with the brake or inching function activated. All four wheels are automatically blocked as soon as the engine is stopped.



# AR 60

## TECHNICAL DATA

### Engine

**Make:** Yanmar Diesel engine  
4TNV88-BD  
**Type:** watercooled  
**Power\*\*\*:** set to 36,5 kW (50 HP)  
at 3000 min<sup>-1</sup>  
**Max. torque:** 140 Nm at 1800 min<sup>-1</sup>  
**Stroke:** 2190 cm<sup>3</sup>  
**Cylinders:** 4 in line

### Electrical System

**Operating voltage** 12 V  
**Battery** 12 V / 88 Ah  
**Alternator** 14 V / 55 A  
**Starter** 12 V / 2,3 kW

### Drive

- Output-regulated hydrostatic drive with pressure cut off and closed circuit acting on all 4 wheels
- Speed with standard tires:  
Operating speed range 0–6,5 km/h  
Road speed range 0–20 km/h
- 1st and 2nd hydraulic gear can be engaged under load, forward/backward travel also
- Forward/backward travel, speed ranges and off-position operational via ATLAS joystick
- Drive operated by accelerator and separate inching pedal for best distribution of the hydraulic power for thrust and lifting forces

### Brakes

**Standard brake:** Multi-disc brake in oil bath acting on rear axle. Supplementary brake functions via inching pedal and hydrostatic drive acting on all 4 wheels.

**Parking brake:** Parking brake as spring-loaded brake acting on rear axle. In case of standstill of engine the spring-loaded brake is automatically re-activated.

### Axles

Rigid axles with planetary reduction gears in wheel hubs, connecting electrically 100%- differential lock in front and rear axle.

### Steering

- Fully hydraulic center pivot steering
- Front and rear wheels follow the same track
- Steering angle of 40° to each side, ±12° angular movement at rear of vehicle
- Operating pressure of steering hydraulics 175 bar
- Emergency steering function

### Tires

**Standard:** 12.5 – 18 MPT – Multi-purpose tires for sand and gravel surfaces, woodland, roads and paths

**Special tires:** 12.5 – 20 MPT – Multi-purpose tires for sand and gravel surfaces, woodland, roads and paths  
405/70 R18 SPT9 – Construction machine tires for clay, sand, gravel, asphalt, roads, gardening and landscaping

400/70 R 20 XMCL – Wheel loader tires for clay, sand, gravel, fields and greenland, fortified roads  
335/80 R20 EM – Construction machine tires for clay, sand, gravel, asphalt, roads, gardening and landscaping

15.5/55 R 18 – Construction machine tires for clay, sand, gravel, broken stone and fortified roads

More special tires upon request

### Hydraulic system

- Gear pump for loading and steering hydraulics
- Priority valve favoring steering hydraulics
- 3rd section
- Loading hydraulic hydraulically pre-activated by ATLAS joystick, including float position
- Operating pressure 230 bar, Delivery of pump 60 l/min

### Loading equipment

- Powerful and solid Z- kinematics with high tear out force
- Hydraulic quick change device
- Activation of all functions by ATLAS joystick
- Parallel movement while using pallet forks
- Automatic mid position of joystick
- Automatic shovel return to excavation position
- Locking device acc. to German StVZO for road travel

**Lifting 5,0 s**  
**Lowering 3,6 s**  
**Tipping 1,5 s**

### Fuel/oil capacities

Diesel: 61,5 l  
Hydraulic oil: 57 l    Engine oil: 7,4 l  
Front axle: 5 l        Rear axle: 5,8 l  
Gear oil: 2,5 l        Cooling liquid: 8,5 l

## STANDARD EQUIPMENT OPTIONS

### Inclusive

- Rear driving mirrors, foldable
- Heatable rear screen
- Access left side, right window to open can be fastened
- Activation of all functions by ATLAS joystick forward/backward travel
- Lights acc. to German StVZO for road travel
- Individually adjustable driver's seat
- Hot water heating with heat exchange and 3-stage-fan
- Front windscreen ventilation, variable output
- Sound absorbing ROPS cab
- Windscreen wipe and wash unit in front and rear
- Sun visor, ceiling lamp, stow facility
- Heat protection glazing with targetinted screens
- Control lights for engine oil pressure, overheating, hydraulic oil temperature, battery power, parking brake, air filter
- Central dashboard with indicators for preheating, fuel, working hour meter

### Technical options

- Main battery switch
- Special paintings and oils
- Cyclone dust separator
- Additional counterweight (+350 kg valid for service weight 4300 kg)
- FOPS roof Level II
- Stability damping system
- Load check valve for lifting and working cylinders
- Trailer coupling
- Anti-theft-device with code stick
- Radio
- Warning beacon

More options upon request

## OPERATING DATA

**Shovel capacity acc. to SAE:** 0,85 m<sup>3</sup>  
**Track width:** 1460 mm  
**Turning radius (outer shovel edge):** 3977 mm  
**Tear out force:** 5160 daN  
**Torque:** 4100 daN  
**Tipping load, straight:** 3059 kg (3635 kg)  
**Tipping load, articulated:** 2701 kg (3200 kg)  
**Lifting capacity at ground level:** 4650 daN  
**Service weight:** 4300 kg (4650 kg)

**Differing data for use of pallet forks (500 mm distance to center of gravity)\***

**Static tipping load, straight and articulated:** 2137 kg (2574 kg)  
**Lifting capacity:** 2845 daN  
**Payload 80% even surface\*\*:** 1709 kg (2059 kg)  
**Payload 60% uneven surface\*\*:** 1282 kg (1544 kg)

### Sound level

**Average acoustic power-level L<sub>WA</sub>(1):** 100,2 dB(A)  
**Guaranteed acoustic power-level L<sub>WA</sub>(2):** 101,0 dB(A)  
**Sound pressure level L<sub>pA</sub>(3):** 80,0 dB(A)

### Specific vibration-data

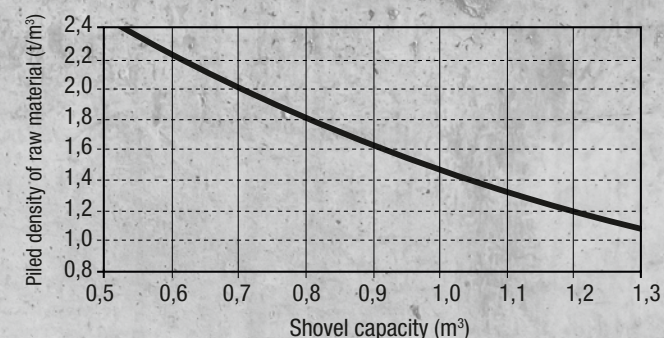
**Hand-/ arm- / body -vibration(4):** < 2,5 / 0,5 m/s<sup>2</sup>

\* Travel with load only permitted close to the ground.  
\*\* According to ISO 8313 and EN 474-3.  
\*\*\* According to ISO 14396, EU RL97/68/EC.  
(1) According to 2000/14/EG & appendixes.  
(2) According to 2000/14/EG & appendixes.  
(3) According to ISO 6396.  
(4) According to ISO 8041.

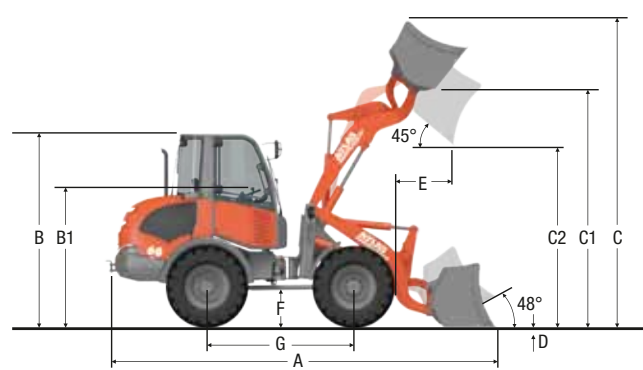
### Specific gravity for material handling weight (t/m<sup>3</sup>)

CONSTRUCTION		INDUSTRY		LANDSCAPING, AGRICULTURE	
concrete	1,9	ember	0,7	agricultural crop	0,7
soil (dry)	1,5	brown coal briquette	0,8	grain	0,6
soil (watery)	2,0	ferrous product	7,8	hay	0,3
rock (fill)	2,4	iron ore	2,3	potash	1,1
granite	1,8	cullet	1,9	compost	1,0
limestone	1,6	gas coke	0,4	flour	0,5
gravel (dry)	1,9	timber	0,8	clay (watery)	2,3
gravel (watery)	2,1	mineral coal	1,2	phosphate fertilizer	2,2
loam	1,7	paper	0,9	turf (watery)	1,1
plaster	2,2	slag	1,0	turf (dry)	0,4
sand (dry)	1,9	slag concrete	2,7	mineral fertiliser	1,0
sand (watery)	2,1				

### Diagram for shovel selection

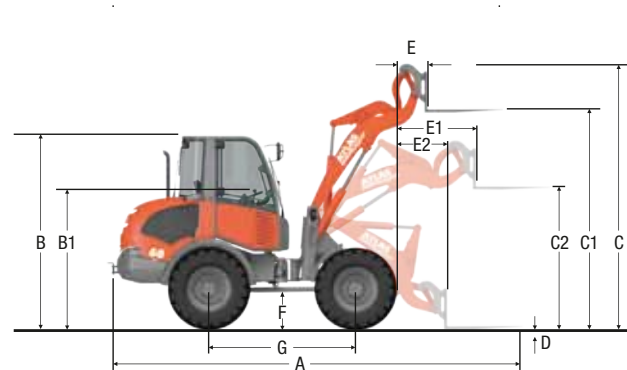


### Technical data AR 60 with standard shovel



A 5250 mm  
B 2475 mm  
B1 1765 mm  
C 3930 mm  
C1 3130 mm  
C2 2475 mm  
D 85 mm  
E 670 mm  
F 440 mm  
G 2000 mm  
H 1785 mm  
I 1850 mm  
R 1840 mm  
R2 3690 mm  
α 40°

### Technical data AR 60 with pallet forks



A 5540 mm  
B 2475 mm  
B1 1765 mm  
C 3380 mm  
C1 2925 mm  
C2 1315 mm  
D 70 mm  
E 430 mm  
E1 1200 mm  
E2 750 mm  
F 440 mm  
G 2000 mm  
H 1785 mm  
I 1030 mm  
R 1840 mm  
R1 3690 mm  
α 40°

# Product range



## AR 30

**Operation weight** 2150 kg  
**Power** 24,6 kW/33,5 HP  
**Shovel capacity** 0,32 m<sup>3</sup>



## AR 35 / AR 35 Super

**Operation weight** 2500 kg/2875 kg  
**Power** 24,6 kW/33,5 HP  
 29,4 kW/40 HP  
**Shovel capacity** 0,34 m<sup>3</sup>/0,40 m<sup>3</sup>



## AR 40

**Operation weight** 3300 kg  
**Power** 29,4 kW/40 HP  
**Shovel capacity** 0,50 m<sup>3</sup>



## AR 60

**Operation weight** 4300 kg/4650 kg  
**Power** 36,5 kW/49,7 HP  
**Shovel capacity** 0,80 m<sup>3</sup>



## AR 65 e

**Operation weight** 5000 kg  
**Power** 55,4 kW/75,4 HP  
**Shovel capacity** 0,8 - 1,00 m<sup>3</sup>



## AR 75 e

**Operation weight** 5760 kg  
**Power** 55,4 kW/75,4 HP  
**Shovel capacity** 1,00 m<sup>3</sup>



## AR 75 e S

**Operation weight** 6280 kg  
**Power** 55,4 kW/75,4 HP  
**Shovel capacity** 0,80 m<sup>3</sup>



## AR 75 e T

**Operation weight** 6000 kg  
**Power** 55,4 kW/75,4 HP  
**Shovel capacity** 1,00 m<sup>3</sup>



## AR 80 e

**Operation weight** 6220 kg  
**Power** 70 kW/95 HP  
**Shovel capacity** 1,00 - 1,20 m<sup>3</sup>



## AR 85 e

**Operation weight** 7000 kg  
**Power** 80 kW/109 HP  
**Shovel capacity** 1,30 - 1,40 m<sup>3</sup>



## AR 95 e / AR 95 e Super

**Operation weight** 7900 kg/8200 kg  
**Power** 85 kW/115,5 HP  
 95 kW/129 HP  
**Shovel capacity** 1,40 m<sup>3</sup>/1,60 m<sup>3</sup>



## AR 105 e

**Operation weight** 9450 kg  
**Power** 105 kW/143 HP  
**Shovel capacity** 1,60 - 1,80 m<sup>3</sup>

Compliance with the new statutory limits for exhaust emissions is one thing. Deriving tangible benefits for our customers is another. We are proud to have incorporated both in the development of the new generation of wheel loaders.

Higher power - lower consumption plus a series of other innovative features that make a genuinely positive difference in a construction site environment. All the features inside are now represented on the outside by a small "e" and the new product name "ATLAS weycor".

\*ATLAS WEYCOR is an ATLAS WEYHAUSEN GMBH brand

# ATLAS weycor