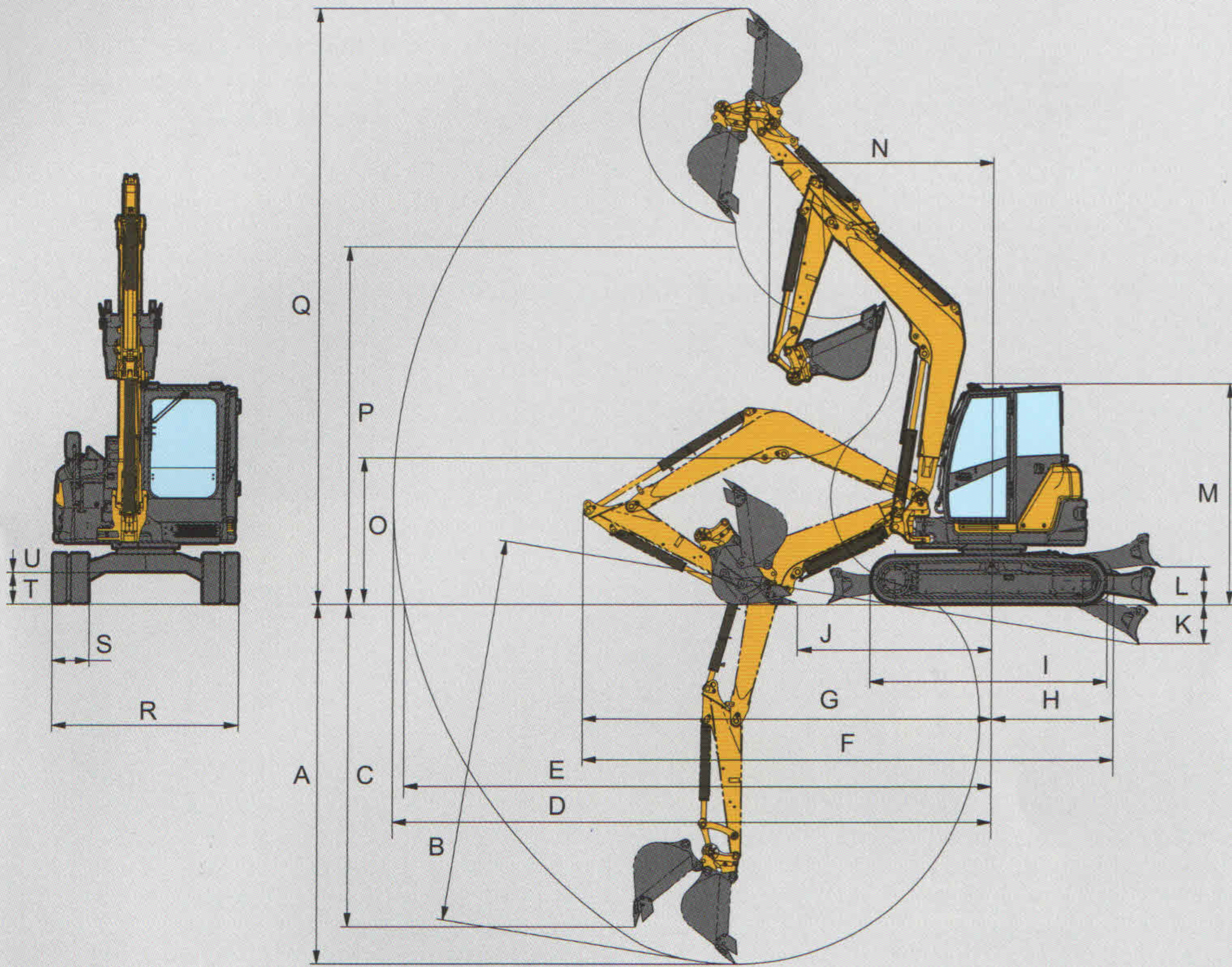


Dimensions Unit:mm (ft-in)


ViO80-1	
Quick coupler	
A	4400 (14'5")
B	4680 (15'4")
C	3940 (12'11")
D	7280 (23'11")
E	7140 (23'5")
F	6460 (21'2")
G	4970 (16'4")
H	1990 (6'6")
I	2890 (9'6")
J	2380 (7'9")
K	480 (1'7")
L	460 (1'6")
M	2680 (8'10")
N	2720 (8'11")
	R2370 (7'9") at boom swing
O	1750 (5'7")
P	4620 (15'2")
Q	7230 (23'9")
R	2270 (7'5")
S	1870 (6'2")
T	450 (1'6")
U	390 (1'3")
V	620 (2'0")
W	840 (2'9")
X	60 (0'2")
Y	120 (0'5")
Z	750 (2'6")



Specifications

Model		ViO80-1	
Type		Cab. rubber track	Cab. steel track
Operating weight		lbs (kg)	18136 (8225) / 18268 (8285)
Engine	Type	Vertical four cylinder water-cooled direct injection diesel engine	
	Model	YANMAR 4TNV98-ZWBV2	
	Rated output	hp (kW) / rpm	54.6 (40.7) / 2000
	Maximum output at high idle speed	hp (kW) / rpm	52.7 (39.3) / 1900
Performance	Max digging force, bucket / arm	lbf (kN)	11330 (50.4) / 8363 (37.2)
	Traveling speed, high / low	MPH (km / h)	2.8 (4.5) / 1.6 (2.5) / 2.6 (4.1) / 1.4 (2.3)
	Swing speed	RPM	9.0
	Boom swing angle, (L / R)	degrees	57 / 60
	Gradability	degrees	30
Ground contact pressure		PSI (kPa)	5.19 (35.8) / 5.25 (36.2)
Hydraulic system	Pump capacity	GPM (L / min)	18.6 (70.3) x 2 + 14.0 (53.2) / Variable displacement pump 5.0 (18) / Gear pump
	Main relief set pressure	PSI (MPa)	3699 (25.5) x 2 + 3481 (24.0) + 421 (2.9)
Blade dimensions	Width	mm (ft-in)	2260 (7'5")
	Stroke, raise / lower from G.L.	mm (ft-in)	460 (1'6") / 480 (1'7") / 440 (1'5") / 500 (1'8")
Fuel tank capacity		Gals (L)	30.4 (115)

Hydraulic PTO

Model		ViO80-1	
Specification	Output	PSI (kPa)	GPM (L / min)
		1900RPM	1200RPM
Combined flow, double actions 		3698 (25.5)	31.7 (120) / 19.8 (75)