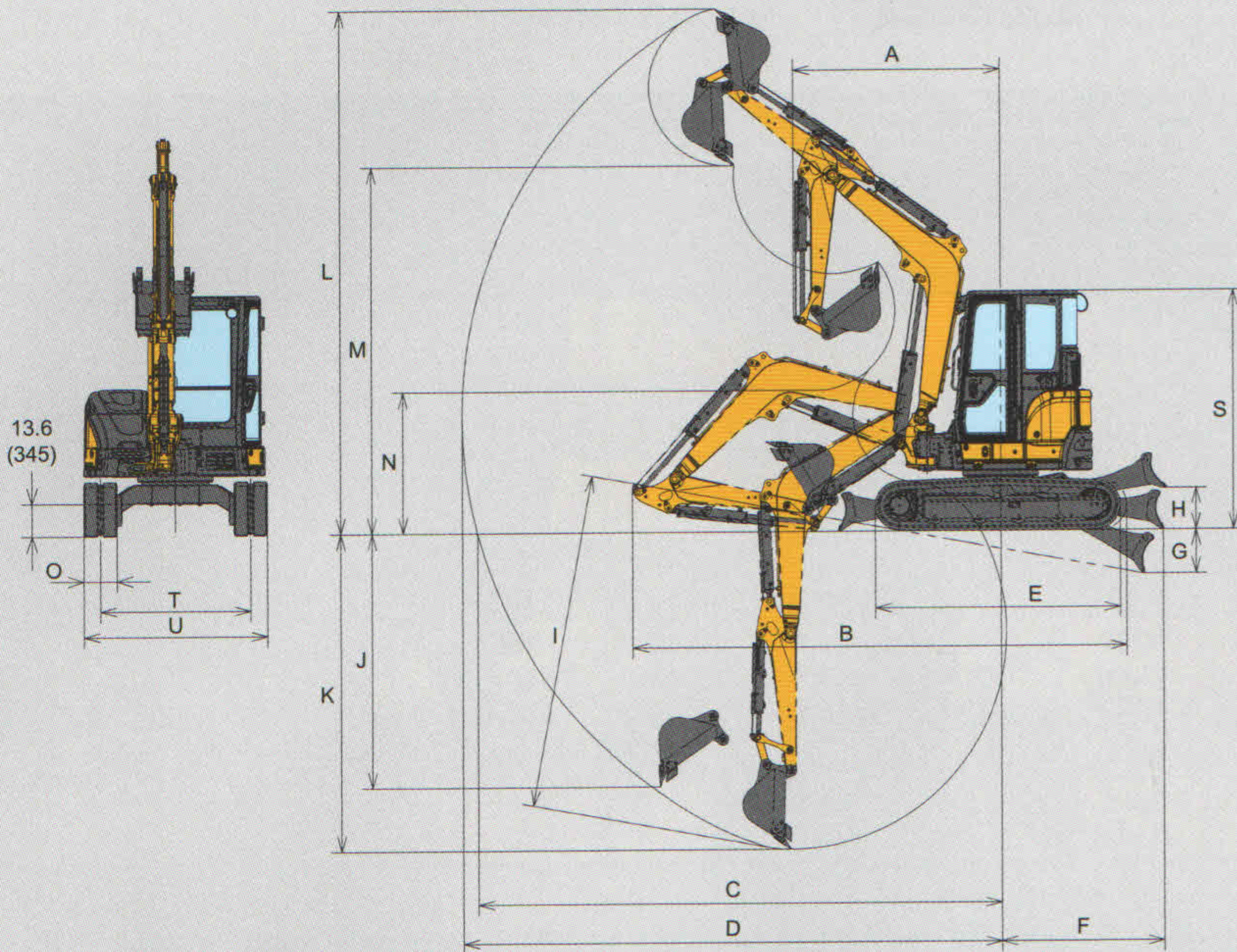


Dimensions

Unit : mm (in)


	Vi045-6B		Vi055-6B	
	Canopy spec / Cabin spec		Canopy spec / Cabin spec	
	Quick coupler	without Quick coupler	Quick coupler	without Quick coupler
A	2380 (93.7) Swing 2120 (83.5)	2190 (86.2) Swing 1950 (76.8)	2370 (93.3) Swing 2110 (83.1)	2180 (85.8) Swing 1940 (76.4)
B	5320 (209.4)	5230 (205.9)	5580 (219.7)	5510 (216.9)
C	5740 (226.0)	5540 (218.1)	6140 (241.7)	5950 (234.3)
D	5890 (231.9)	5700 (224.4)	6290 (247.6)	6100 (240.2)
E	2590 (102.0)			
F	1890 (77.4)	1720 (67.7)	1890 (77.4)	1720 (67.7)
G	540 (21.3)	465 (18.3)	540 (21.3)	465 (18.3)
H	500 (19.7)	445 (17.5)	500 (19.7)	445 (17.5)
I	3740 (147.2)	3540 (139.4)	4120 (162.2)	3920 (154.3)
J	2380 (93.7)	2690 (105.9)	2560 (100.8)	2930 (115.4)
K	3550 (139.8)	3360 (132.3)	3900 (153.5)	3710 (146.1)
L	5700 (224.4)	5530 (217.7)	6060 (238.6)	5900 (232.3)
M	3680 (144.9)	3870 (152.4)	4050 (159.4)	4240 (166.9)
N	1340 (52.8)	1500 (59.1)	1410 (55.5)	1570 (61.8)
O	350 (13.8)		400 (15.7)	
P	650 (25.6)		700 (27.6)	
Q	125 (4.9)			
R	35 (1.4)			
S	2540 (100.0)			
T	1590 (62.6)			
U	1940 (76.4)		1990 (78.3)	
V	1970 (77.6)		1970 (77.6)	
W	970 (38.2)		995 (39.2)	



Specifications

Model	Vi045-6B				Vi055-6B					
	Canopy		Cabin		Canopy		Cabin			
	Quick coupler	without Quick coupler	Quick coupler	without Quick coupler	Quick coupler	without Quick coupler	Quick coupler	without Quick coupler		
Operating weight	Rubber track	lbs (kg)	10373 (4705)	10152 (4605)	10748 (4875)	10527 (4775)	11806 (5355)	11585 (5255)	12203 (5535)	11982 (5435)
	Steel track	lbs (kg)	10659 (4835)	10439 (4735)	11034 (5005)	10814 (4905)	11872 (5385)	11651 (5285)	12269 (5565)	12048 (5465)
Engine	Type	-	Vertical four cylinder water-cooled direct injection diesel engine							
	Model	-	YANMAR 4TNV88-ZPBV				YANMAR 4TNV84T-ZMBV			
	Rated output	HP (kW) / rpm	37.7(28.1) / 2200 [Gross]				48.4 (33.4) / 2200 [Gross]			
Performance	Bucket capacity, standard	cu.ft (cu.m)	4.94 (0.14)				5.65 (0.16)			
	Bucket width, standard	in. (mm)	25.6 (650)				27.6 (700)			
	Max digging force, bucket	lbf (kN)	6497 (28.9)	8206 (36.5)	6497 (28.9)	8206 (36.5)	7464 (33.2)	9419 (41.9)	7464 (33.2)	9419 (41.9)
	Traveling speed, High / Low	Rubber track MPH (km / h)	2.9 (4.6) / 1.5 (2.4)				2.6 (4.2) / 1.4 (2.2)			
		Steel track MPH (km / h)	2.7 (4.3) / 1.3 (2.1)				2.4 (3.9) / 1.2 (2.0)			
	Swing speed	rpm	10				10			
	Boom swing angle, (L / R)	68 / 68				68 / 68				
Ground contact pressure	Rubber track	PSI (kPa)	4.25 (29.3)	4.16 (28.7)	4.41 (30.4)	4.32 (29.8)	4.24 (29.2)	4.15 (28.6)	4.38 (30.2)	4.29 (29.6)
	Steel track	PSI (kPa)	4.42 (30.5)	4.34 (29.9)	4.58 (31.6)	4.50 (31.0)	4.31 (29.7)	4.24 (29.2)	4.45 (30.7)	4.38 (30.2)
Hydraulic system	Pump capacity	GPM (L / min)	11.2 (42.5) x 2 [Variable displacement pump] 9.8 (37.0) x 1, 2.9 (10.8) x 1 [Gear pump]				12.1 (45.8) x 2 [Variable displacement pump] 9.8 (37.0) x 1, 2.9 (10.8) x 1 [Gear pump]			
	Main relief set pressure	PSI (MPa)	3553 (24.5) x 2	3133 (21.6) x 1	566 (3.9) x 1		3553 (24.5) x 2	3553 (24.5) x 1	566 (3.9) x 1	
Fuel tank capacity		Gals (L)	17.4 (66)				17.4 (66)			

Hydraulic PTO

Model	Vi045-6B				Vi055-6B			
	Output	PSI (MPa)	GPM (L / min)		PSI (MPa)	GPM (L / min)		
			2200RPM	1200RPM		2200RPM	1200RPM	
Combined flow, double actions 		3553 (24.5)	21.0 (79.5)	11.4 (43.3)	3553 (24.5)	21.9 (82.8)	11.9 (45.1)	